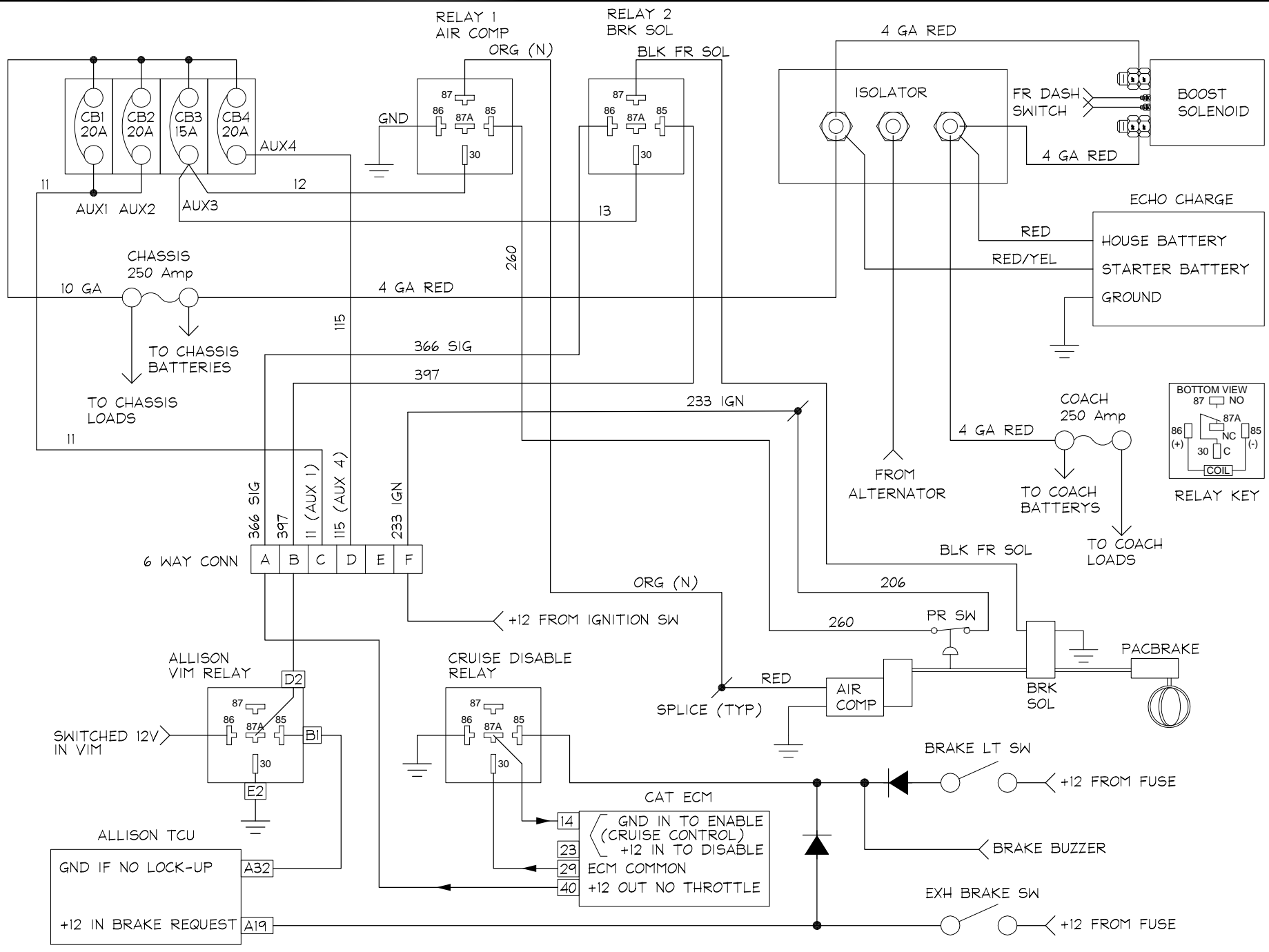


12/10/13 7:16:04 AM D:\MY DOCUMENTS\SAFARI\SAFARI\CAD\SAFARI_PACBRAKE.DWG



Air pump control changed to have	SCALE: N/A	PROJECT: SAFARI MOTORHOME	TITLE: SAFARI ISOLATOR PANEL rev
the pressure switch control the relay	DRAWN: JIM X	LOC: N/A	DRG: SAFARI ISO PNL 2
and the relay control the motor.	DATE: 4/30/13	JOB NO: N/A	Safari PacBrake.dwg
			REVISION 1